

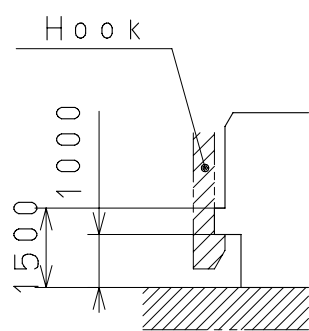
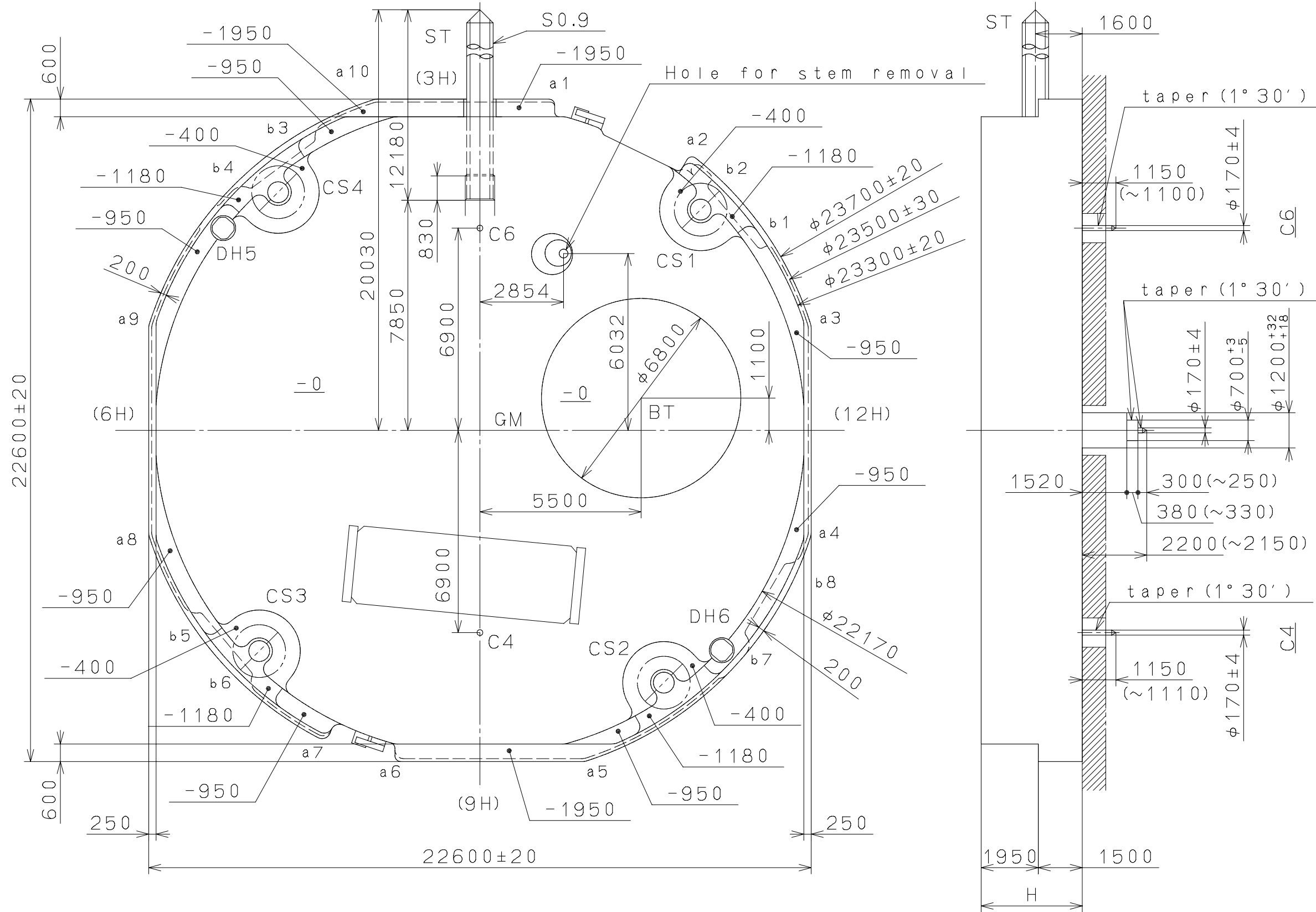
2007/12/27 (08:22:44)

This drawing is provisional and subject to our reconfirmation and/or revision without notice.

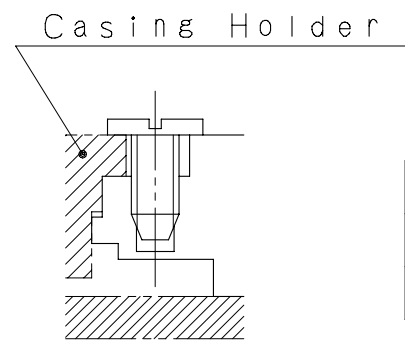
DH5~DH6=22287 (±20)

Coordinates

記号	X	Y	R
GM	0	0	—
DH5	-8759	6900	—
DH6	8251	-7500	—
a1	2351	11100	200
a2	7235	9131	200
a3	10800	3490	500
a4	10800	-3490	500
a5	3490	-10800	500
a6	-2700	-11100	200
a7	-5389	-10216	300
a8	-10800	-3490	500
a9	-10800	3490	500
a10	-3490	10800	500
b1	9581	6360	150
b2	7928	8331	150
b3	-5773	9946	150
b4	-7839	8415	150
b5	-9572	-6374	150
b6	-7916	-8342	150
b7	9196	-6906	150
b8	10501	-4690	150



Section b1~b8



Section CS1~4

	H
With Battery strap	3600
Without Battery strap	3450

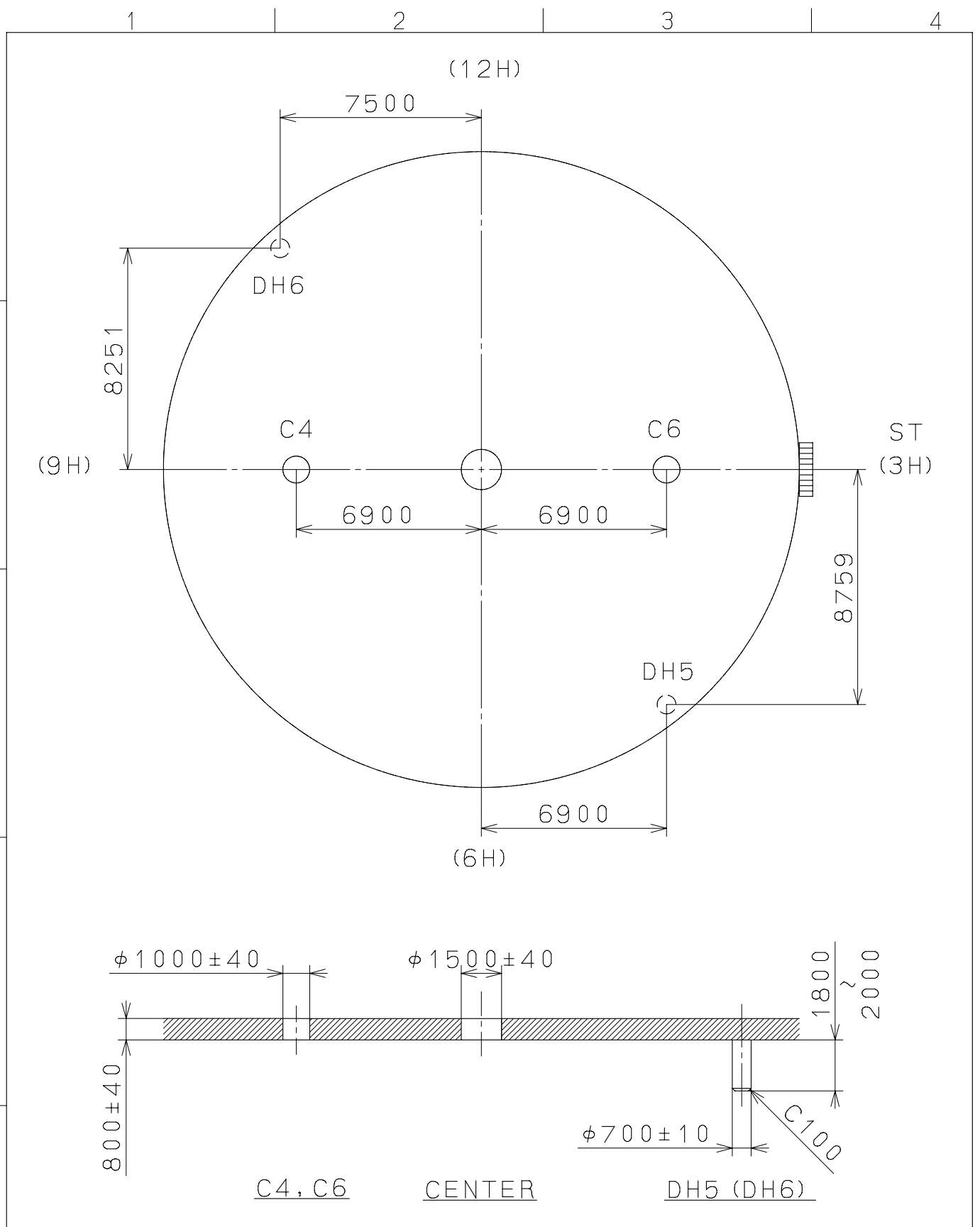
△5		Quantity		Cal. NO.:	
△4		Unit	1/1000 mm		6P75
△3		Scale	7 : 1	Parts No.:	
△2		Date			
△1		Drawn			
Mark	Date	Description	Appr.	Checked	N. Suzuki
Alterations				Approved	Name:
				Frame for Case	
				Drawing No.: 6P75C000	
Material				General Tolerances	
Heat Treatment				Dimensions	
Hardness				Angles	
Plating					

MIYOTA

CITIZEN WATCH CO., LTD. TOKYO, JAPAN

2007/12/27 (08:02:08)

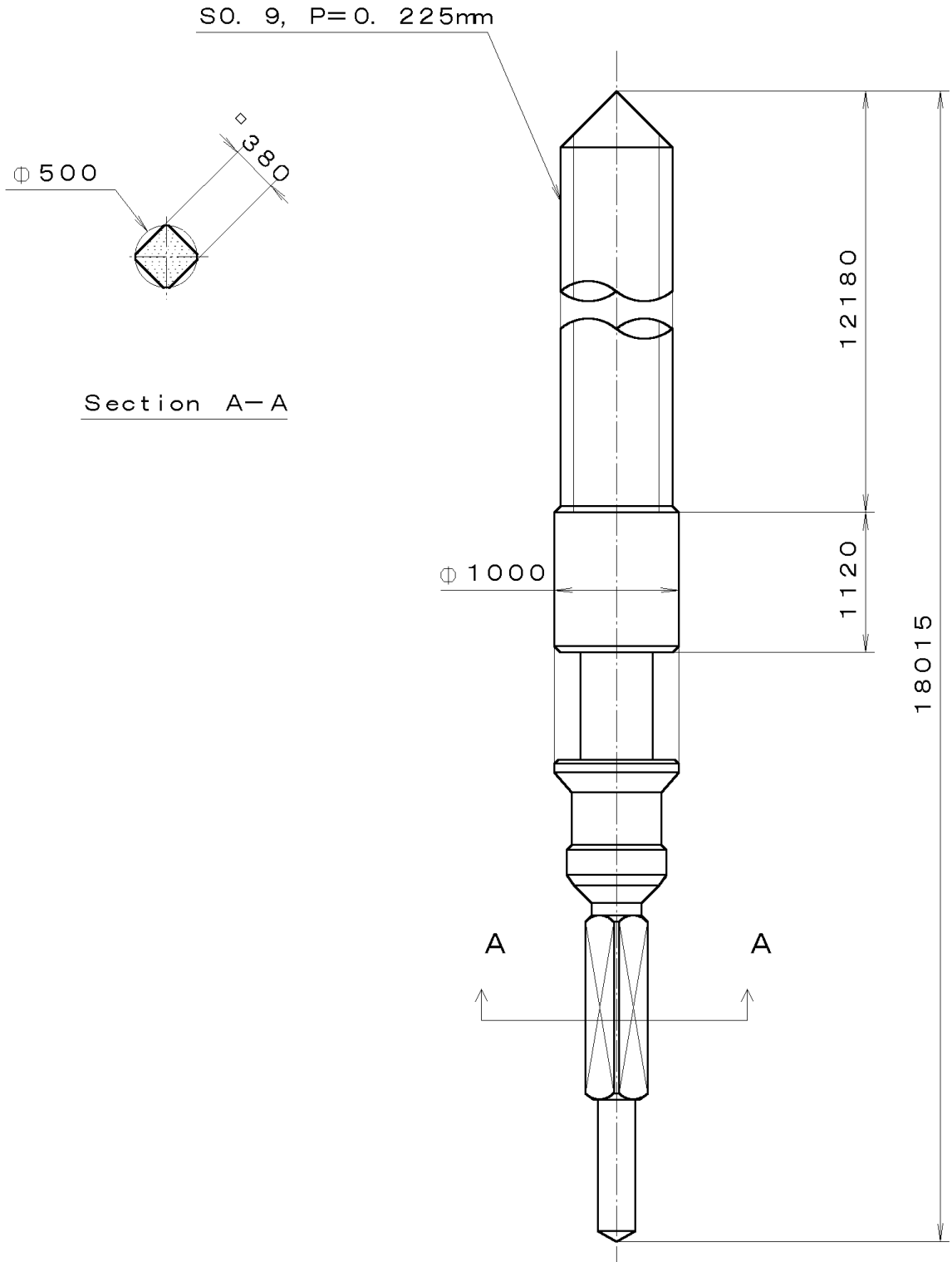
This drawing is provisional and subject to our reconfirmation and/or revision without notice.



△			Quantity		Cal.NO.:
△			Unit	1/1000mm	6P75-00A
△			Scale	5:1	Parts No.:
△			Date		
△			Drawn		
Mark	Date	Description	Appr.	Checked	Name:
		Alterations	Approved	N. Suzuki	Indications for Dial
Material					Drawing No.: 6P75D000
Heat Treatment			General Tolerances	MIYOTA CITIZEN WATCH CO., LTD. TOKYO, JAPAN	
Hardness			Dimensions		
Plating			Angles		

This drawing is provisional and subject to our reconfirmation and/or revision without notice.

065-379 (01) *** (2100 1121) 00-06-23



7			Quantity		Cal. No. :
6			Unit	1/1000 mm	Parts:
5			Scale	20:1	
4			Date		065-379
3			Drawn		
2			Checked	T. Hiruta	Name:
1			Approved		SETTING STEM
Material					Drawing No. : 3790S000
Heat Treatment			General Tolerances		
Hardness			Dimensions		
Plating			Angles		